

WE3000

Aluminium / steel alloy structure

Reduction unit with worm wheel and irreversible worm-screw. Reverse motion is possible only when the operator pulls the operating lever. Therefore this reduction system requires no brakes.

Manual drum clutch for drum engagement – disengagement.

Line speed 1st layer of cable (with empty drum): 4 m/m

Ratio 50:1 (total ratio: 290:1)

1st cable layer pulling capacity measured by dynamometer: 3000 kg

Zinc-plated steel cable guide with sliding rollers

CE- marked shockproof control pendant with pin connection

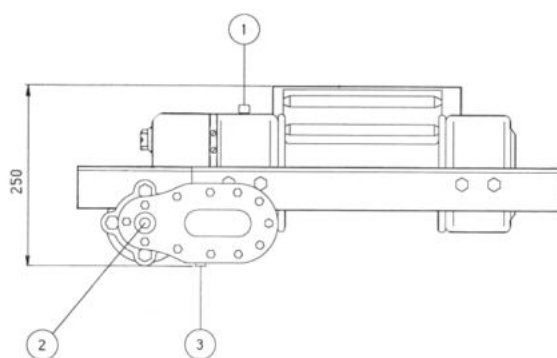
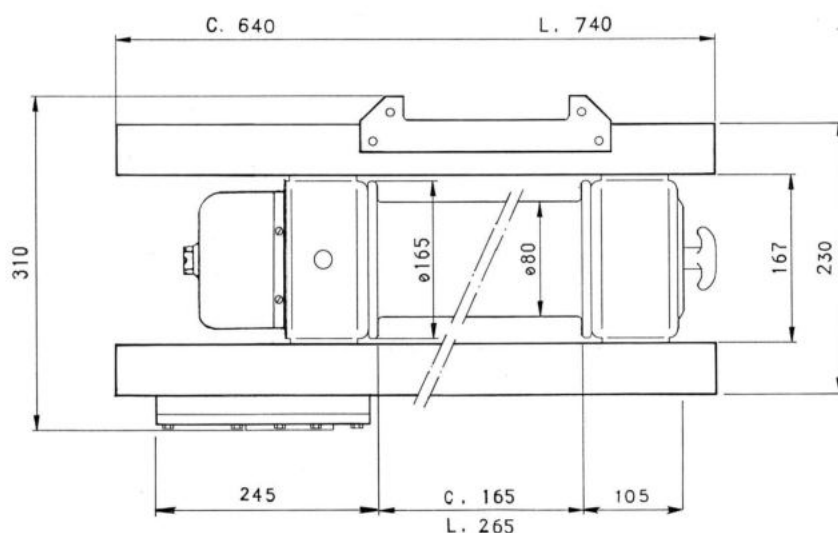
Radio control kit (extra)

12 V versions with short (C) and long (L) drum

Max. current consumption 95 A

Total weight without cable: 34 kg (C) / 36 kg (L)

Max cable capacity: 35 m Ø 8 mm (C) / 60 m Ø 8 mm (L)



- 1 - Oil filling plug
- 2 - Oil level plug
- 3 - Oil drain plug

CABLE LAYER	LINE PULL	CABLE LENGTH
1 st	3000 kg	5,18 m (C) / 8,32 m (L)
2 nd	2400 kg	11,39 m (C) / 18,31 m (L)
3 rd	2000 kg	18,64 m (C) / 29,96 m (L)
4 th	1715 kg	26,93 m (C) / 43,27 m (L)
5 th	1500 kg	36,26 m (C) / 58,25 m (L)
Max. cable capacity: 35 m (C) / 60 m (L) Ø 8 mm		